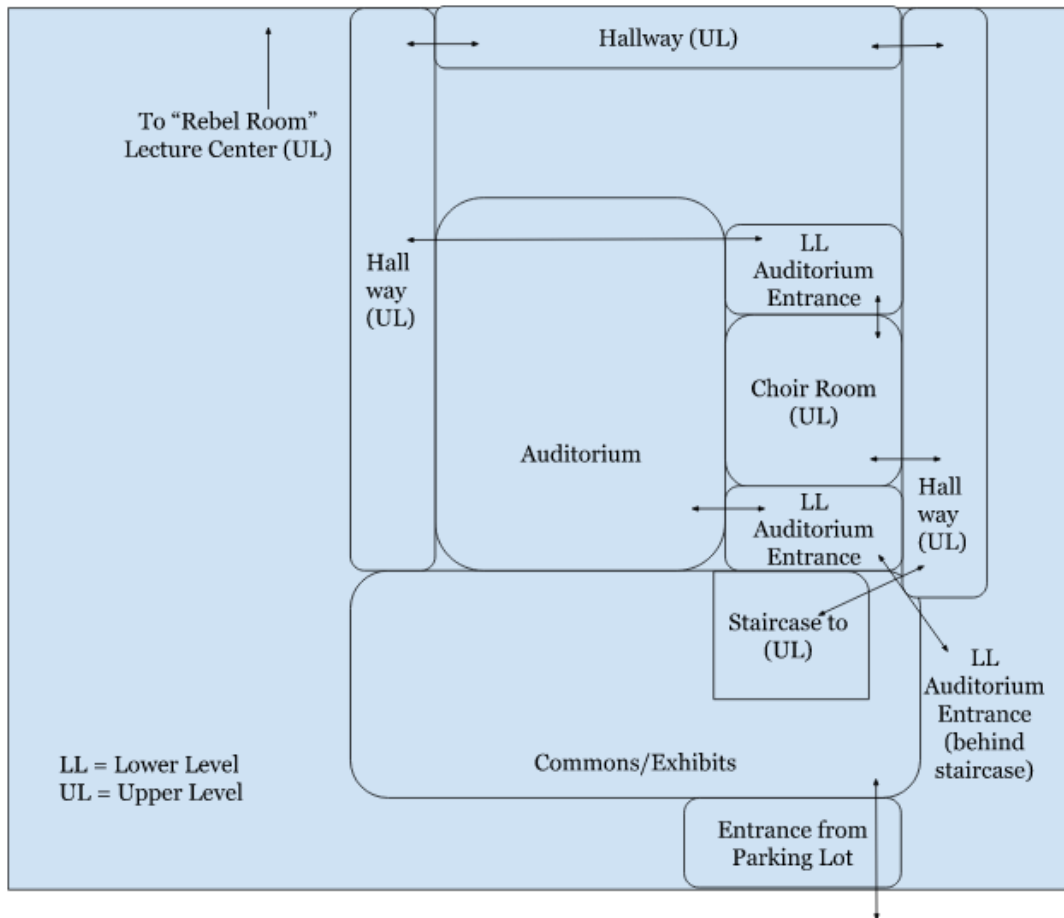




SUMMER CONVENTION 2022

JULY 20-22, 2022

Columbine High School Map



Thank You!

Scott Christy - Columbine HS Principal

Steven Sarine - Columbine HS Facilities

Tyler Vandermeer - Facilities Host, Band Director, Columbine HS

Kim Wilson-Paugh and Kevin Larsen - John Shaw Memorial Golf Tournament Coordinators

Megan Sanders - Meals

Kate Margrave - Exhibits

Travis Keller - CSU Credit and Continuing Education Credit

Fatima Simon - Baldoria on the Water - Hall of Fame Banquet

Steve Martin- Post Convention Social

Ed Cannava - CBA Executive Secretary

CBA Board of Directors

Members of CBA

Welcome to the 2022 Colorado Bandmasters Summer Convention!

It is my great pleasure to welcome you back to the Colorado Bandmasters Association 2022 Summer Convention. It was a relief to make music in person with students this year as we returned to a more normal school year. The perseverance that music teachers demonstrated throughout the pandemic is truly remarkable and I am so proud of the work of the dedicated band directors in Colorado.

It is my honor to have Dr. Tim Lautzenheiser, Dr. John Pasquale, and Cindy Lansford at our convention this year. Thank you to Hal Leonard and Conn-Selmer for sponsoring Dr. Lautzenheiser and CBA Marching and Colorado Honor Band for sponsoring Dr. Pasquale and Ms. Lansford. I am also grateful for all of our amazing colleagues that are presenting at this year's convention and sharing their expertise with us. My hope is that everyone in attendance leaves with knowledge and excitement for the future

The students in Colorado benefited greatly from being able to participate in marching, concert, and jazz opportunities provided through CBA. I would personally like to thank Ken Ovrebo, Rick Shaw, Jack Yonce, Casey Cropp, and Kevin Whitelaw, and Ed Cannava for their work ensuring Colorado band students have the absolute best opportunities to improve and showcase their music making skills.

We have many wonderful exhibitors to visit this year in the commons. I encourage everyone to spend some time between sessions chatting and learning more from our exhibitors. Thank you to Kate Margrave for all of her work with the exhibitors. A huge thanks to Tyler Vandermeer for hosting the convention at Columbine High School. Thank you to Megan Sanders for providing us such delicious meals throughout the convention. College credit is available through CSU for the convention - thanks to Travis Keller. Finally, thank you to Kim Wilson and Kevin Larsen for their work with the golf tournament.

I'm very appreciative of all the work of the CBA board - especially President Aaron Vogelsberg, for his leadership in our organization. I'd like to extend a warm welcome to our newly elected board members - Karen Gregg - president-elect, Jonathan Colson - small school rep, and Chris Rigolini - metro rep. Thank you to Ryan Crabtree, Megan Sanders, and Bryce Melaragno, our outgoing board members, for their service to Colorado Bandmasters Association. We appreciate all you have done for Colorado bands!

Congratulations to our newly inducted Hall of Fame member, Brett Argo, who we will celebrate on Thursday evening at Baldoria on the Water. This recognition is well deserved and I am so happy that we have the opportunity to celebrate in person this year.

Lastly, I hope that you have a great convention and feel prepared and excited for the upcoming school year. It's going to be an incredible year!

Becky Paschke
President-Elect

CBA CONVENTION HEADLINERS



Dr. Tim Lautzenbeiser

Tim Lautzenheiser began his teaching career at Northern Michigan University. He then moved to the University of Missouri, and from there to New Mexico State University. During that time, Tim developed highly acclaimed groups in both instrumental and vocal music.

Tim presently serves as Senior Vice President of Education for Conn-Selmer, Inc. He is a nationally recognized voice touting the importance of arts education for every child.

His books, produced by G.I.A. Publications, Inc., continue to be bestsellers in the educational community. He is also co-author of popular band method, *Essential Elements*, as well as the Senior Educational Consultant for Hal Leonard, Inc.



Dr. John Pasquale

An international conductor, author, and lecturer, Dr. John D. Pasquale, holds the Donald R. Shepherd Professorship in Conducting at the University of Michigan. He serves as Director of the Michigan Marching and Athletic Bands, Associate Director of University Bands, and Associate Professor of Conducting. In this position, he directs and oversees the athletic band program, is the conductor of the University Band, guest conductor with the Symphony Band, Symphony Band Chamber Winds, and Concert Band, and teaches classes in rehearsal pedagogy. Outside of the university, he is an instructor of music at the Bund Deutscher Blasmusikverbände e.V. Musikakademie in Staufen, Germany.

Dr. Pasquale is in demand as a conductor, clinician, pedagogue, and adjudicator in band and orchestra programs throughout Europe, Asia, and the United States.



Cindy Lansford

Cindy Lansford taught both at the middle and high school level in Birdville ISD, Plano ISD, and Goose Creek Consolidated ISD. Ms. Lansford was named Teacher of the Year both at Carpenter Middle School and North Ridge Middle School. She served on the UIL Prescribed Music List selection committee and served at the region level in leadership positions. Bands under her direction have received recognition at the local, region, state, and national levels. The North Ridge MS Band was named the first Texas Bandmasters Association "Exemplary Middle School Band Program." In addition, the North Ridge Band was awarded the John Philip Sousa Foundation's Sudler Silver Cup in 2004 and performed at the Midwest Clinic in 2005. In 2008, Ms. Lansford received the Meritorious Achievement Award from TBA. Retired in 2007, Ms. Lansford

continues as a band consultant/clinician, mentor, adjudicator, and summer camp instructor. She also served as President of Phi Beta Mu (Alpha Chapter).

Thursday Session Info

- 8:30AM-9:20AM **Decoding Drum Set Music: A “Crash” Course in Communicating with your Drummer**
Presented by: **Andrew Holcombe - Euclid MS**
This session is designed to help the jazz band teacher understand what is on the page of the drum set music, what is not, and how to explain it to the drummer in a way that allows them to drive the band with more clarity and confidence. In addition to looking at charts, discussing “hits” and “set-ups” (and the dreaded slashes), we will also discuss important techniques and concepts to keep the drummer focused and complimenting the band. Attendees will also receive some basic grooves in multiple styles to help shape their drummer back at school. If you’ve ever thought “I don’t know what that means - try something different,” this session is for you!
- 8:30AM-9:00AM **Professional Success Program Round Table**
Presented by: **Kate Margrave - Pinecreek HS**
Please come join the discussion regarding the CBA Professional Success Program. Mentors, mentees, ANYONE!!! This is especially for those who participated this semester, but really for everyone so we can evaluate how to make this as good as it can be. I would love your input so we can start the year off strong with a great program!!!
- 9:30AM-10:20AM **Part 1: Teaching Beginning Band: How to Start Beginners and Teach the Basics of Individual and Ensemble Pedagogy**
Presented by: **Dr. John Pasquale and Cindy Lansford**
This session, which in in two parts, will involve a discussion of how to start beginning band students, instrument specific pedagogy and teaching the basics of ensemble music and then use a live ensemble to demonstrate these concepts.
- 10:30AM-11:20AM **Part 2: Teaching Beginning Band: How to Start Beginners and Teach the Basics of Individual and Ensemble Pedagogy**
Presented by: **Dr. John Pasquale and Cindy Lansford**
This session, which in in two parts, will involve a discussion of how to start beginning band students, instrument specific pedagogy and teaching the basics of ensemble music and then use a live ensemble to demonstrate these concepts.
- 11:30AM-12:20PM **CBA Marching Committee Meeting**
Presented by: **Rick Shaw**
This is a meeting for the marching committee.
- 11:30AM-12:20PM **ASBDA General Membership Meeting**
Presented by: **Dylan Ford - Dakota Ridge HS**
General membership meeting.
- 12:30PM-1:20PM **Answering All of Your T&P Questions Before There’s a Problem**
Presented by: **Craig Ketels**
This session is a time for you to speak with the Chief T&P Judge to avoid problems by answering questions or concerns you may have before the season starts. Mr. Ketels is happy to help make design suggestions for problems you might have related to timing and penalties.
- 12:30PM-1:20PM **CBA Concert Band Meeting - Information and Open Forum**
Presented by: **Jack Yonce - CBA Concert Chair**
This session will be an open forum and information session regarding the CBA Concert Band Festivals. Next year’s schedule and format will be shared and discussed. Several judges and clinicians will present feedback, ideas and suggestions from this year’s events. Participants are welcome to bring up topics for discussion, which will involve all present.

- 1:30PM-2:20PM **CMU Rowdy Brass Band Performance**
Presented by: **Colorado Mesa University's Rowdy Brass Band**
Performance by the Rowdy Brass Band!
- 1:30PM-2:20PM **T&P Judge Meeting**
Presented by: **Craig Ketels**
A judge training for timing and penalty judges.
- 2:30PM-3:20PM **Do Band Different: Creating a Chamber Ensemble for the 21st Century**
Presented by: **Dr. Jonathan Hinkle**
Our world is changing. Music is changing. Time and resources are limited. Our approach to band, music education, performance opportunities for students and audiences must adapt. We must connect with our audience! Enter the "Rowdy Brass Band", a 21st Century ensemble that can 'cover so many bases' and more. Consider creating a group like this with your program, even at the high school level, and see how it can have tremendous benefits for your students, school, community, and your program as a whole. Chances are, you already have a group in your program that is already set-up similarly. How and why should you take the next steps?
- 2:30PM-3:20PM **Small School Round Table**
Presented by: **Megan Sanders - Milliken MS and Jonathan Colson - Rocky Ford JR/HS**
We will discuss a variety of topics related to small schools, rural schools, and schools with smaller bands or programs for a variety of reasons.
- 2:30PM-3:20PM **Get Out of Your Comfort Zone and into the Music: Enhancing Musicality through Gesture**
Presented by: **Kate Margrave - Pine Creek HS**
Why do we conduct the way we do? Do we do it for us, our students or the audience? What do they really need? This presentation will address some of the challenges students and teachers face in every rehearsal, focusing on how to get the most music out of our students through our gestures in rehearsal and beyond.
- 3:30PM-4:20PM **All State Band Steering Committee Meeting**
Presented by: **Casey Cropp**
This session is a meeting for members of the All State Steering Committee.
- 3:30PM-4:20PM **Purposeful Fundamentals: Engaging Students in the Intentful Pursuit of Excellence**
Presented by: **Jack Yonce**
Daily ensemble fundamentals are critical to the success of any band. This session will explore WHAT materials to use and HOW to structure the fundamentals time for maximum benefit. A main focus will be engaging the students in the purpose of every exercise and drill so that they understand and can get the most out of the fundamentals. **Bring your instrument to gain the best perspective!!**

Thursday, July 21 2022 - At a Glance

Time	Auditorium	Lecture Center	Choir Room	Commons
7:30-8:30				Breakfast
8:30AM-9:20AM		Andrew Holcombe Decoding Drum Set Music: A "Crash" Course in Communicating with your Drummer	Kate Margrave Professional Success Roundtable	
				Visit Exhibits
9:30AM-10:20AM	Dr. John Pasquale and Cindy Lansford Part 1: Basics of Individual and Ensemble Pedagogy			
				Visit Exhibits
10:30AM-11:20AM	Dr. John Pasquale and Cindy Lansford Part 2: Basics of Individual and Ensemble Pedagogy			
				Visit Exhibits
Lunch 11:30AM-12:20PM		Rick Shaw CBA Marching Committee Meeting	Dylan Ford ASBDA General Meeting	Lunch
				Visit Exhibits
12:30PM-1:20PM	Jack Yonce CBA Concert Band Festivals - Information and Open Forum		Craig Ketels Answering all of your T&P Questions	
				Visit Exhibits
1:30PM-2:20PM	CMU Rowdy Brass Band Performance by CMU Rowdy Brass Band		Craig Ketels T & P Judge Meeting	
				Visit Exhibits
2:30PM-3:20PM	Dr. Jonathan Hinkle Do Band Different: Chamber Ensemble	Kate Margrave Enhancing Musicality through Gesture	Megan Sanders and Jonathan Colson Small School Roundtable	
				Visit Exhibits
3:30PM-4:20PM	Jack Yonce Purposeful Fundamentals		Casey Cropp All State Band Steering Committee Mtg	

5:00 PM Social Hour - 6:00 PM Banquet

The Banquet is being held at the **Baldoria on the Water** located at 146 Van Gordon Street, Lakewood, CO 80228. The Banquet is included with pre-registration. Additional guests need to register online. Cost of additional guests is \$50.

Bring Cash for the Bar

Friday Session Info

- 8:30AM-9:20AM **The Crucial Role the Teacher Plays in Music Learning**
Presented by: **Dr. Tim Lautzenheiser**
Optimum learning happens in a safe, challenging, and encouraging environment. If we are to tap into the intrinsic motivation of our students we must establish a forum-of-learning that opens their hearts as well as their minds. Music is an EXPRESSIONISTIC subject affording each student the chance to explore his/her unlimited artistic potential
- 9:30AM-10:20AM **Marching Season Updates**
Presented by: **Rick Shaw - CBA Marching Chair**
This session will present announcements and a status report for the 2022 Colorado Bandmasters Association marching season. A short review of the new 2022 adjudication forms will be included. This session is intended for all directors who plan to participate in any CBA sanctioned show and State Championships.
- 9:30AM-10:20AM **Ask Me Questions About Your String Bass Players in Orchestra!**
Presented by: **Michelle Ewer - Ralston Valley HS**
This session will cover basic of String Bass Players, from how to stand/sit, hold the bow, tone production, shifting, vibrato, engagement, and more! Explore why your bass players act out, or do not produce the tone you are looking for. Feel free to ask questions and come up and play a bass for a quick critique.
- 10:30AM-11:20AM **The Joy of Inspired Teaching**
Presented by: **Dr. Tim Lautzenhaier**
This address will focus on the important role teachers play in positive growth and development of their students. Success is a matter of CONTENT and CONTEXT; “the messenger” is equally important as “the message.” We as music educators have the opportunity to awaken the creative spirit within each child through music learning and music making.
- 11:30AM-12:20PM **CBA Board Meeting**
Presented by: **Aaron Vogelsberg - Centaurus HS**
Annual board meeting at CBA Summer Convention
- 12:30PM-1:20PM **Part 1: Ensemble Fundamentals for Marching Band: How to Maximize your Music Captions**
Presented by: **Dr. John Pasquale**
This presentation, given in two parts, will discuss specifics of ensemble fundamentals for outdoor ensembles, how to teach and assess them, and then provide a demonstration with a live student ensemble.
- 12:30PM-1:20PM **How to Succeed in your Next (or First) Job.**
Presented by: **Colonel (Ret) Thomas H. Palmatier**
Important info for anyone starting a new position
- 1:30PM-2:20PM **Part 2: Ensemble Fundamentals for Marching Band: How to Maximize your Music Captions**
Presented by: **Dr. John Pasquale**
This presentation, given in two parts, will discuss specifics of ensemble fundamentals for outdoor ensembles, how to teach and assess them, and then provide a demonstration with a live student ensemble.
- 1:30PM-2:20PM **How (or why) to Get Published**
Presented by: **Colonel (Ret) Thomas H. Palmatier**
Getting published can be a great career move and be very rewarding. Here’s how to do it..

2:30PM-3:20PM

The Myths of Color Guard

Presented by: **Jeff Hargis**

Jeff will be talking the audience through a list of some of the most common misconceptions and pitfalls of color guards and sharing strategies to get more points through the most visual aspect of your ensemble.

2:30PM-3:20PM

Allyship in Diverse, Equitable, and Inclusive Music Programming

Presented by: **Kaelinn Ward - Palmer HS and Angelo Sapienza - Doherty HS**

Join us as we share definitions, our experiences, in striving to make music for everyone!

3:30PM-4:20PM

General Membership Meeting

Presented by: **Aaron Vogelsberg - Centaurus HS**

Wrap up the convection with our annual summer membership meeting. Updates from all area representatives, important dates and general information.

Thank you to our Exhibitors!

AdvantEdge Tours

Uniforms West

Music & Arts

Boomer Music Co.

Wilderness Impressions Music

Flesher-Hinton Music

CIOMIT, Inc.

Rocky Mountain Music Repair

S'Cool Fundraising

Colorado Honor Band

American International Travel and Tours

Friday, July 22 2021 - At A Glance

Time	Auditorium	Lecture Center	Commons
7:30AM-8:30AM			Breakfast
8:30AM-9:20AM	Dr. Tim Lautzenheiser The Crucial Role the Teacher Plays in Music Learning		
			Visit Exhibits
9:30AM-10:20AM	Rick Shaw Marching Season Updates	Michelle Ewer Ask me Questions about your String Bass Players in your Orchestra!	
			Visit Exhibits
10:30AM-11:20AM	Dr. Tim Lautzenheiser The Joy of Inspired Teaching		
			Visit Exhibits
Lunch 11:30AM-12:20PM		Aaron Vogelsberg CBA Board Meeting	Lunch
12:30PM-1:20PM	Dr. John Pasquale Part 1: Ensemble Fundamentals for Marching Band	Colonel (Ret) Thomas Palmatier How to Succeed in your Next (or First) Job	
1:30PM-2:20PM	Dr. John Pasquale Part 2: Ensemble Fundamentals for Marching Band	Colonel (Ret) Thomas Palmatier How (or why) to Get Published	
2:30PM-3:20PM	Jeff Hargis The Myths of Color Guard	Kaelinn Ward and Angelo Sapienza Allyship in Diverse, Equitable, and Inclusive Music Programming	
3:30PM-4:20PM	Aaron Vogelsberg General Membership Meeting		

All Are Invited!! The End of Convention Social will be at the home of Roxy and Steve Martin. CBA will provide appetizers.
Roxy and Steve Martin - Gate Code #4300
10843 W. Hinsdale Dr. - Littleton, CO 80127

Colorado Bandmasters Association Board 2022-2023

Position	Name	School	Email
President	Becky Paschke	D'Evelyn Jr/Sr HS	becky.paschke@jeffco.k12.co.us
Past President	Aaron Vogelsberg	Centaurus HS	aaron.vogelsberg@bvsd.org
President Elect	Karen Gregg	Lyons Middle Senior HS	gregg_karen@svvsd.org
1st Vice President	Travis Keller	Fairview HS	travis.keller@bvsd.org
2nd Vice President	Kate Margrave	Pine Creek HS	kate.margrave@gmail.com
Small School Rep	Jonathan Colson	Rocky Ford Jr/Sr HS	jonathan.colson@rockyford.k12.co.us
Metro Area Rep	Chris Rigolini	Highlands Ranch HS	crigolini@dcsdk12.org
North Area Rep	Andrea Hollenbeck	Preston MS	andrea@psdschools.org
Central Mountain Rep	Marti Bott	Buena Vista HS	martib@bvschools.org
South Area Rep	Josh Race	Fountain/Ft. Carson HS	jrace@ffc8.org
Western Area Rep	Isaac Lavadie	Grand Junction HS	isaac.lavadie@d51schools.org
Executive Secretary	Ed Cannava	Retired, Arapahoe HS	ecan11@msn.com
Recording Secretary	Sheridan Monroe	Montrose HS	monroesn@gmail.com
Marching Affairs Chair	Rick Shaw	Retired, Air Academy HS	cbamarchingaffairs@gmail.com
Chairman of Concert Band Affairs	Jack Yonce	Retired, Cheyenne Mountain HS	fjyonce@gmail.com
Middle School Concert Band Chair	Casey Cropp	Retired, Rocky Mountain HS	ccropp09@gmail.com
All-State Jazz Chair	Kevin Whitelaw	The Classical Academy	colorado.allstatejazz@gmail.com
All-State Concert Band Chair	Casey Cropp	Retired, Rocky Mountain HS	ccropp09@gmail.com

Colorado Bandmasters Association Hall of Fame

Brett Argo, 2022



Brett graduated from Eastern New Mexico University with a Bachelor of Music Education degree in 1980. He then began his teaching career in Nucla, CO, teaching grades 5-12. After two years he left to attend Western State College in Gunnison where he received his Master of Arts in Music and was a graduate assistant. After that, Brett spent three years in Cedaredge, CO, teaching grades 6-12 where his concert bands and jazz bands consistently received superior ratings, while the marching bands placed in the top 5. After a one-year stint in Ruidoso, New Mexico, Mr. Argo returned to Colorado to teach in Dolores, where he taught grades 6-12, for 4 years. The band grew under his leadership and the marching band earned three State Championships. Additionally, the concert and jazz bands consistently received Superior ratings.

In 1992, Brett moved to Grand Junction, CO where he taught at East Middle School and assisted with the Grand Junction High School marching band. His concert bands and jazz bands consistently received Superior ratings and they received the CBA Exemplary Band award 15 times during his tenure at East. In 2009, Mr. Argo moved to the Fruita 8/9

School and assisted with the marching band at Fruita Monument High School. Both the concert bands and jazz bands at F8/9 consistently received Superior ratings at both CBA Regional Festivals and the Colorado West Music Festival with the Ninth Grade Symphonic Band being named as the Outstanding Ensemble in its class in 2018. The bands at Fruita 8/9 received the CBA Exemplary Band Award 10 times.

Brett is a member of CBA—where he served as West Slope representative and Executive Secretary, is a member of ASBDA—where he served as Region 1 Secretary and State Secretary/Treasurer, is a member of CMEA – where he served as District 7 Instrumental Representative and received a 25 Years of Service Award, is a member of Phi Beta Mu, and is a lifetime member to both Kappa Kappa Psi and Phi Mu Alpha Sinfonia. Mr. Argo has also served as a clinician and adjudicator for numerous festivals in Colorado and New Mexico.

Brett has been married to his wife Mary since 1982 and they have an adult son, Shawn. They currently live in Grand Junction and love taking time to visit the National Parks. After 40 years in music education, Brett retired at the end of the 2021 school year.

Colorado Bandmasters Hall of Fame Members

1976- Hugh McMillen	1988- Joe Ernie Montoya	2000- Dick Kusk	2012- Del Brickley
1977- Wayman Walker	1989- Wayne Manzaneres	2001- Fred Selby	2013- Dick Mayne
1978- Charles Nicholls	1990- Chuck Cassio	2002- Mike White	2014- Mark Emery
1979- Earl Faulkner	1991- Don Shupe	2003- Ted Worth	2015- Sal Martorano
1980- J. L. Gerardi	1992- Harley Brown	2004- W L Whaley	2016- Casey Cropp
1981- Robert Jeffery	1993- Frank Montera	2005- Gary Hall	2017- Steve Martin
1982- Sid Rosen	1994- John Icabone	2006- Craig Ketels	2018- Jack Yonce
1983- Steve Asheim	1995- Ken Anderson	2007- Kathy Joseph	2019- Ed Cannava
1984- Joe Brice	1996- Larry Wallace	2008- Denny Sullivan	2020- Rodney Ritthaler
1985- John Kincaid	1997- Duane Zanotelli	2009- Rick Shaw	2021- Mike Mozingo
1986- Robert Hurrell	1998- Ken Singleton	2010- Ken Ovrebo	2022- Brett Argo
1987- John Shaw	1999- Cecil Gutierrez	2011- Gary Ambrosier	

Each year, the members of the Colorado Bandmasters Association nominate and vote for one member to add to the CBA Hall of Fame. These teachers have served as mentors, inspirations, and teachers to countless thousands of students and colleagues in the state of Colorado, and we are a stronger organization because of their vision and dedication to music education.

The Hall of Fame is housed at Frazier Hall in the music building on the campus of the University of Northern Colorado.



Colorado Bandmasters Association Presidents

We can't begin to thank all the former members of the board of directors for their service to the organization. While every former board member is worthy of recognition, we hope this list of our past presidents will serve as a reminder to our current membership of all the time and energy that has been volunteered to this organization on their behalf.

1965 - George Rhoads	1980 - Duane Zanutelli	1996-98 - Del Brickley
1966 - Ralph Strouf	1981 - Byron Ware	1998-00 - Ken Sawyer
1967- Earl Faulkner	1982 - Ed Tyler	2000-02 - Darryl Bostwick
1968 - Dave Glackin	1983 - Joe Brice	2002-04 - Doug Dalton
1969 - Dave Glackin	1984 - Nick Keelan	2004-06 - Tim Libby
1970 - Bob Schroeder	1985 - Bob Martin	2006-08 - Jack Yonce
1971 - Don Shupe	1986 - Craig Harms	2008-10 - Chuck Stephen
1972 - C.B. Abercrombie	1987 - Ted Worth	2010-12 - J. Clayton Stansberry
1973 - Bud Meisel	1988 - Sal Martorano	2012-14 - Sara Wynes
1974 - Russ Wolz	1989 - Paul Weiss	2014-16 - Steve Martin
1975 - Larry Cook	1990 - Mike White	2016-18 - Scott Schlup
1976 - Joe Ernie Montoya	1991 - Joe Brice	2018-20 - Ryan Crabtree
1977 - Chuck Cassio	1992 - Gary Ambrosier	2020-22 - Aaron Vogelsberg
1978 - Frank Montera	1993 - 94- Kathy Joseph	
1979 - John Icabone	1995-96 - Richard Weldon	

Did you know CBA...

- Offers student teacher scholarships
- Has over 350 members
- Has a member handbook- available in digital form - coloradobandmasters.org (resources - membership)
- Has a music lending library that is housed at Golden Music
- Has a resource library- The Jess Gerardi Library housed at Metro State
- There is a summary of every summer convention since 1965 on the CBA webpage

Upcoming CBA Summer Conventions

2023 Summer Convention, July 19-21, 2023

2024 Summer Convention, July 17-19, 2024

2025 Summer Convention, July 16-18, 2025